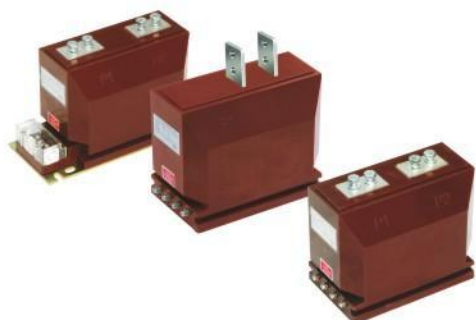


型号含义 Meaning of Model



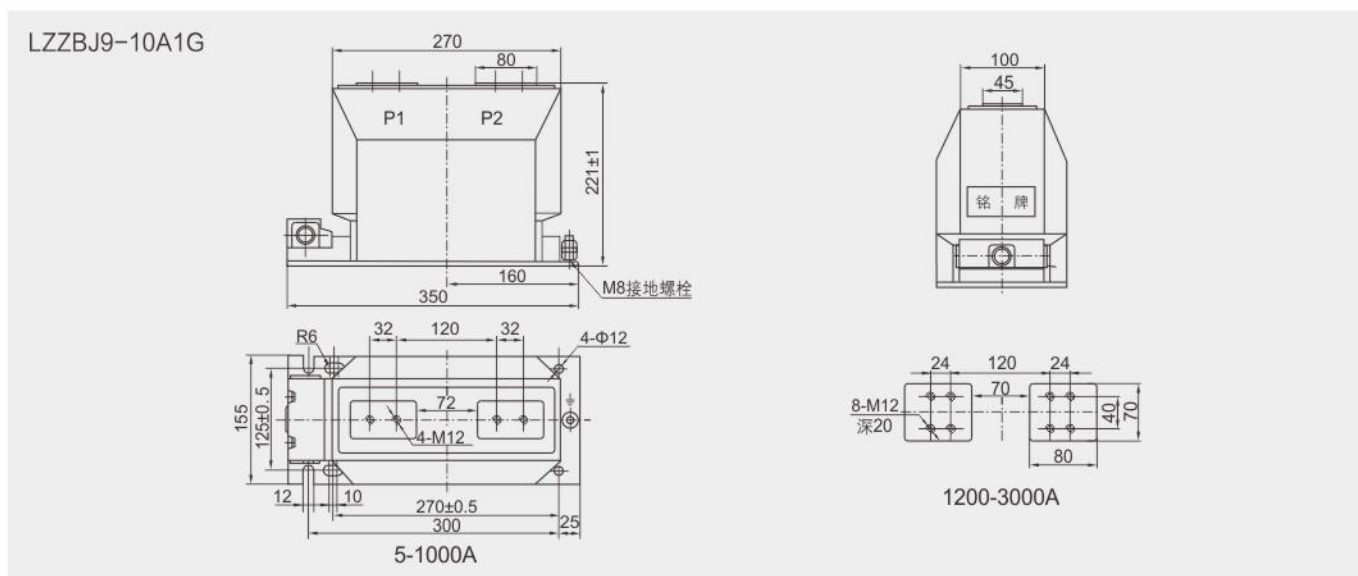
L Z Z B J 9 - 10 A1G、B1、C1

- 结构代号 Structure code
- 额定电压 Rated voltage (kV)
- 设计序号 Design No.
- 加强型 Reinforced type
- 带保护级 With protective class
- 浇注绝缘 Casting insulation
- 支柱式 Post type
- 电流互感器 Current transformer

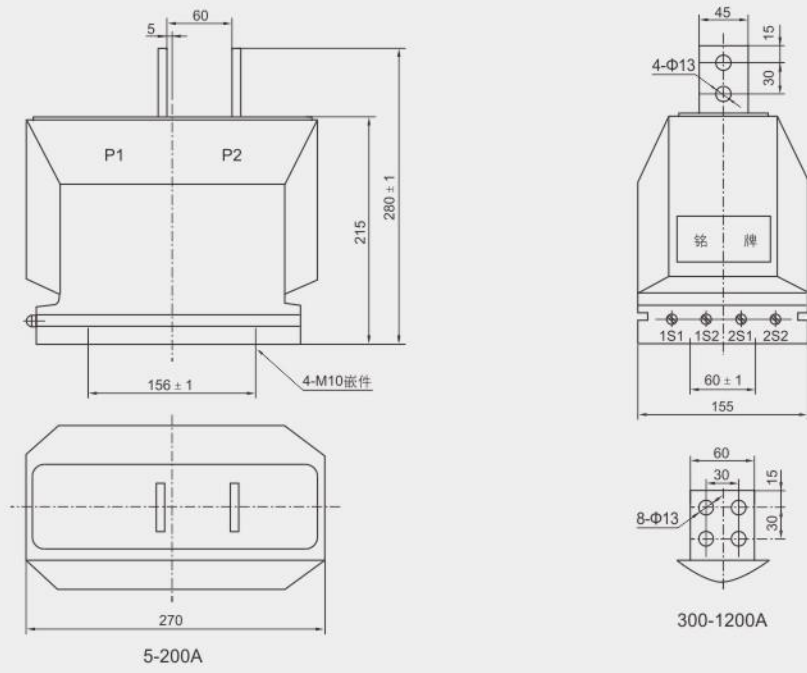
技术参数 Technical data

额定一次电流 Rated primary current(A)	准确级组合 Accuracy classes combination	额定二次输出 Rated secondary output(VA)			一秒热稳定电流 1s thermal current (kA)	动稳定电流 Rated dynamic current (kA)
		0.2S(0.2)	0.5S(0.5)	10P10		
5	0.2S/10P10 0.5S/10P10 0.2/10P10 0.5/10P10	10	10	15	0.75	1.8
10					1.44	3.6
15					2	5
20					3	7.5
25					4	10
30					5	12.5
40					6.3	15
50					8.1	20
75					16.2	40.5
100					21.6	54
150					36	80
200					45	100
300					45	100
400					45	100
500					63	130
600					63	130

外形及安装尺寸 Overall dimension drawing



LZZBJ9-10B1



LZZBJ9-10C1

不带安装板

